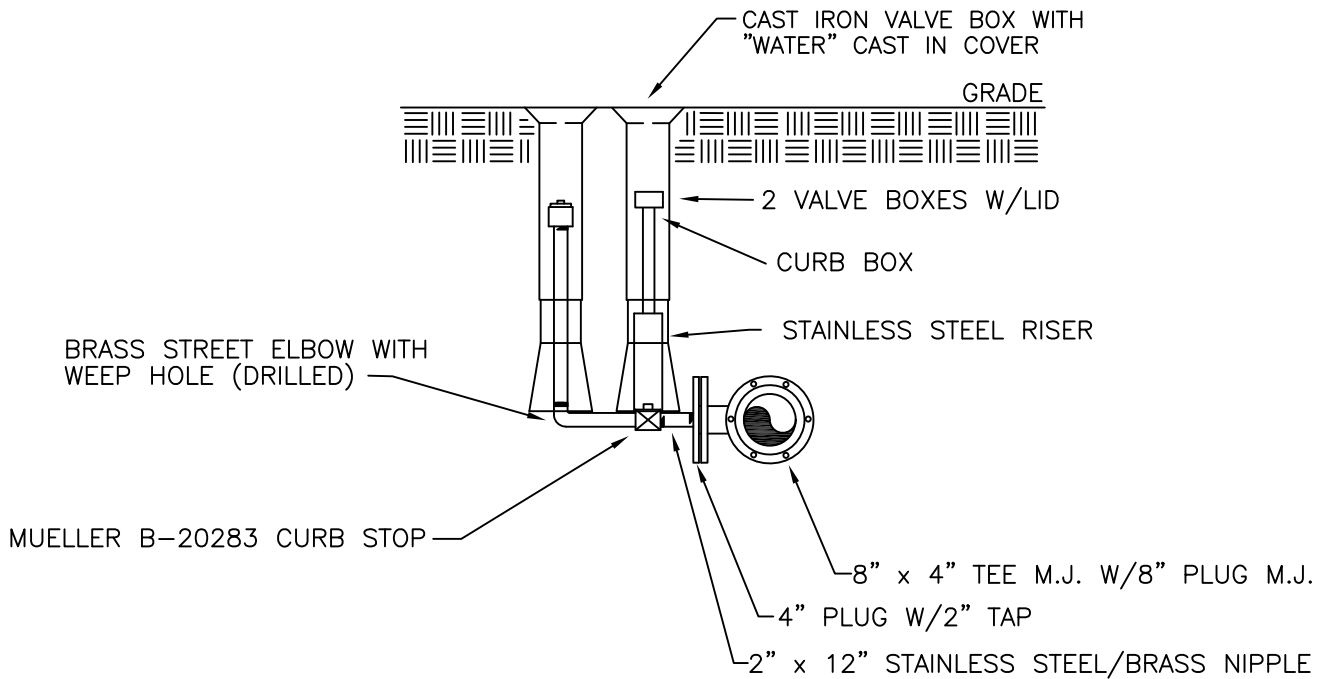


PLAN



SECTION A-A

**NPWA STANDARD 2" BLOW-OFF VALVE INSTALLATION**